

Minor Surgery Light SL430 LED



DARAY[®]
Medical

Committed to excellence

SL430

The **DARAY**® SL430 is an invaluable and cost effective tool. It has been specifically designed for minor procedures under local anaesthetic in health centres, GP surgeries and outpatient departments.

Ideal for minor surgery, maxillofacial, obstetrics, diagnostics and gynaecology. Also suitable for use within casualty departments and intensive care units.

The Light is designed to provide consistent, accurate light where it's needed, along with great shadow reduction and accurate colour rendering.



Features

- The use of Multiple LED's provides a high, and even light intensity throughout the entire viewing area to reduce eye strain
- A concise and self-explanatory 3 button control system on the lighthead itself
- Balanced arms for one touch adjustment and a great range of movement.
- Ideal for minor surgery and gynaecological procedures
- Removable, autoclavable handle

Environmentally friendly features


- Costs up to 75% less to run than halogen
- 50,000 hours of life from the LED light engine
- No more bulbs to change - reduces waste by 95% over the light's lifetime
- Metal arm system, hardwearing and can be fully recycled
- No halogen, mercury, cadmium, lead or CFCs. No chemicals harmful to the environment.



*Based on 5.5 hours use per day

DARAY®
Medical

Committed to excellence



SL430 ceiling mounted



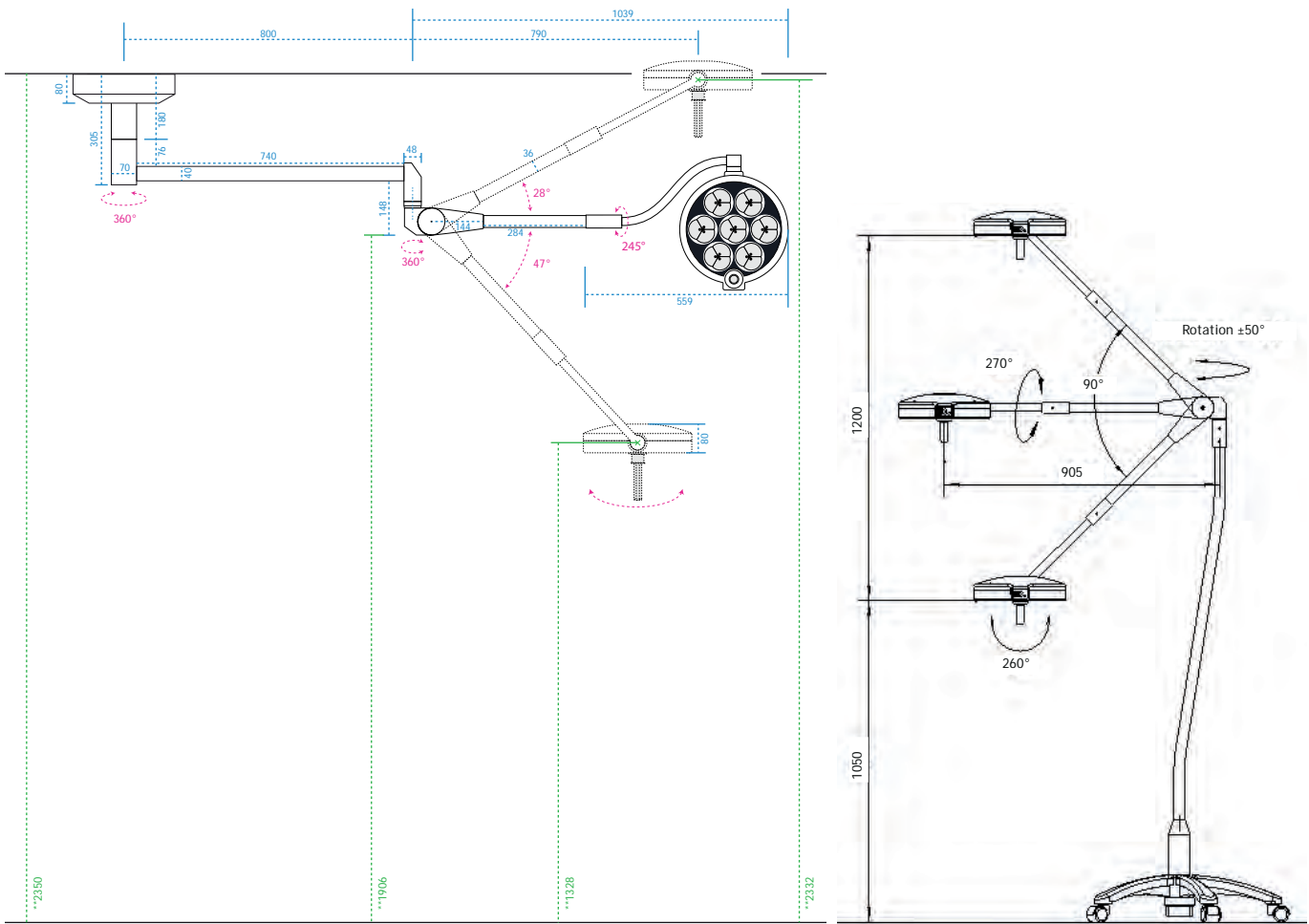
SL430 wall mounted



SL430 mobile mounted

Specifications

Light Intensity @ 0.75m:	90,000 lux \pm 5%
Light Intensity @ 1m:	70,000 lux \pm 5%
Colour Temperature:	4,000K
Colour Rendering Index (CRI):	\geq 95
Colour Rendering (R9)	90
Electrical Draw	13.5W 0.115 Amps
Light Field Diameter (d50)	200mm
Light Intensity Adjustment Range	9 Stages (10% - 100%)
Temperature Rise on Surgeon	\leq 2°C
Average working life	>50,000 Hours
Input Rating	230V 50Hz



**Dimension suggestion. For specific applications or environments, then mounting bracket should be installed at a height so that, when fitted, the lighthouse is as near to the required position as possible.

Products Available

SL430LM	DARAY SL430 LED mobile mounted minor surgery light
SL430LC	DARAY SL430 LED ceiling mounted minor surgery light
SL430LW	DARAY SL430 LED wall mounted minor surgery light
Bespoke solutions available, please call	

ABOUT DARAY

DARAY have been established in the medical, dental and veterinary markets since 1968 building exceptional and durable products. We shall continue to innovate; aiming to excel in our endeavours to deliver reliable solutions.



DARAY[®]
Medical

Committed to excellence

www.daray.com
Tel: 0800 804 8384 Email: info@daray.co.uk
Marquis Drive, Moira, Swadlincote DE12 6EJ