

CIBSE

LIG050
LIG052
LIG055
LIG910

DARAY[®]
Medical

Product Datasheet

Minor Surgery Light

SL180

LED



Introduction

The SL180 has various mounting options to suit your procedure room and is ideal for day surgery, gynaecology, A&E departments, GP treatment rooms, podiatry, dermatology and many more. With variable intensity, easy to use controls and BioProtect® anti-microbial solution on all painted finishes, the SL180 LED minor surgical light will complement your treatment room perfectly.

Standard Features

- World-renowned LED technology
- Variable intensity
- Balanced arms for one touch adjustment and a great range of movement.
- Ideal for minor surgery and gynaecological procedures
- BioProtect® anti-microbial coating to assist in infection control
- Fully positionable light head
- Ideal reach for most clinical procedures
- Energy-efficient, environmentally friendly, and a fully recyclable product

Available Options

SL180LC	DARAY SL180 LED ceiling mounted minor surgical light
SL180LW	DARAY SL180 LED wall mounted minor surgical light
SL180LFM	DARAY SL180 LED flexible mobile minor surgical light
SL180LM	DARAY SL180 LED mobile minor surgical light
SLBB24	Battery back-up options available, please call
CMC	Ceiling Mount Cover (required for conventional ceilings only)
Bespoke solutions available, please call	

Technical Specifications

Light Source	LED
Light Intensity (Lux) @ 0.5m	87,000 Lux \pm 5%
Light Intensity (Lux) @ 0.75m	50,000 Lux \pm 5%
Light Intensity (Lux) @ 1.0m	30,000 Lux \pm 5%
Light Intensity Adjustment Range	10 - 100%
Colour Temperature (Kelvin)	4,300K \pm 500
Colour Rendering Index (CRI)	95
Colour Rendering (R9)	88
Light Field Diameter (D50)	@ 0.5m: 100mm
	@ 0.75m: 135mm
	@ 1m: 150mm
Light Field Diameter (D10)	@ 0.5m: 190mm
	@ 0.75m: 275mm
	@ 1m: 340mm
Number of LED's	12
Power Consumption	22W 0.2A
Average Working Life	>50,000 Hours
Input Voltage	100 - 240V AC 50/60 Hz
Output Voltage	30V DC 1A
Temperature Rise on Patient/User	\leq 2°C
Warranty Period	5 Years
NHS E-Class Code	FBU, FKR, IBB
Commodity Code	9018 908400
GMDN Code	12276

Notes

The SL180 LED Minor Surgical light features a strong beam of light that has an even intensity across the viewing area. Utilising LED technology the SL180 has around 50,000 hours from the LED light engine - that's over 25 years of clinical use (based on 5.5 hours use per day).

The wall and ceiling editions of this light come on spring balanced arms with a large range of movement as standard. Combined with great shadow reduction technology, the SL180 will keep you focused on your patients not your equipment. With a smooth, fully enclosed head, and our BioProtect® antimicrobial coating, this model is designed to assist you with infection control .

Medical Approvals/Certificates

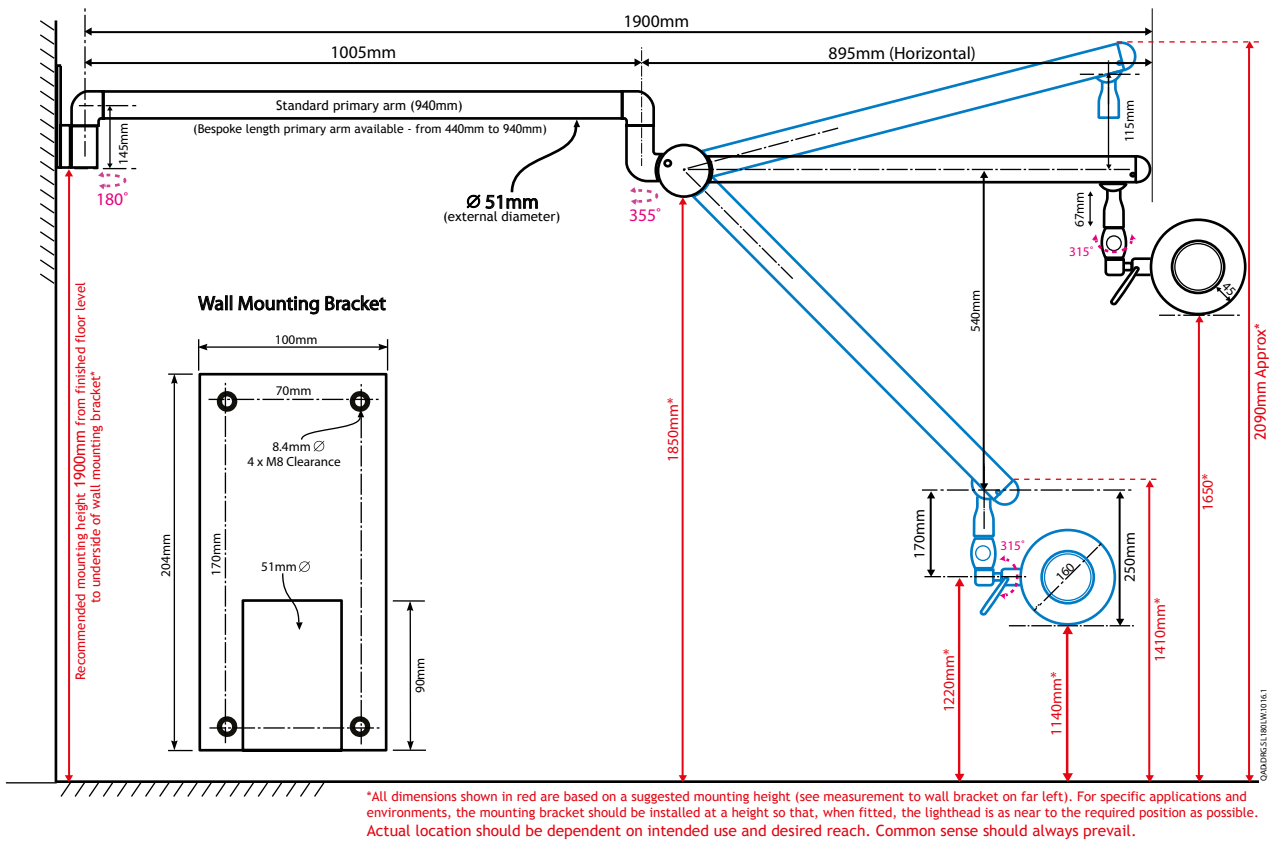
The product(s) on this datasheet adhere to the following standards in line with the 93/42/EC Medical Devices Directive - Classification: Class 1, Rule 1.

EN ISO 13485:2012
 EN ISO 14971:2012
 EN ISO 9001:2015
 EN 60598-2-25

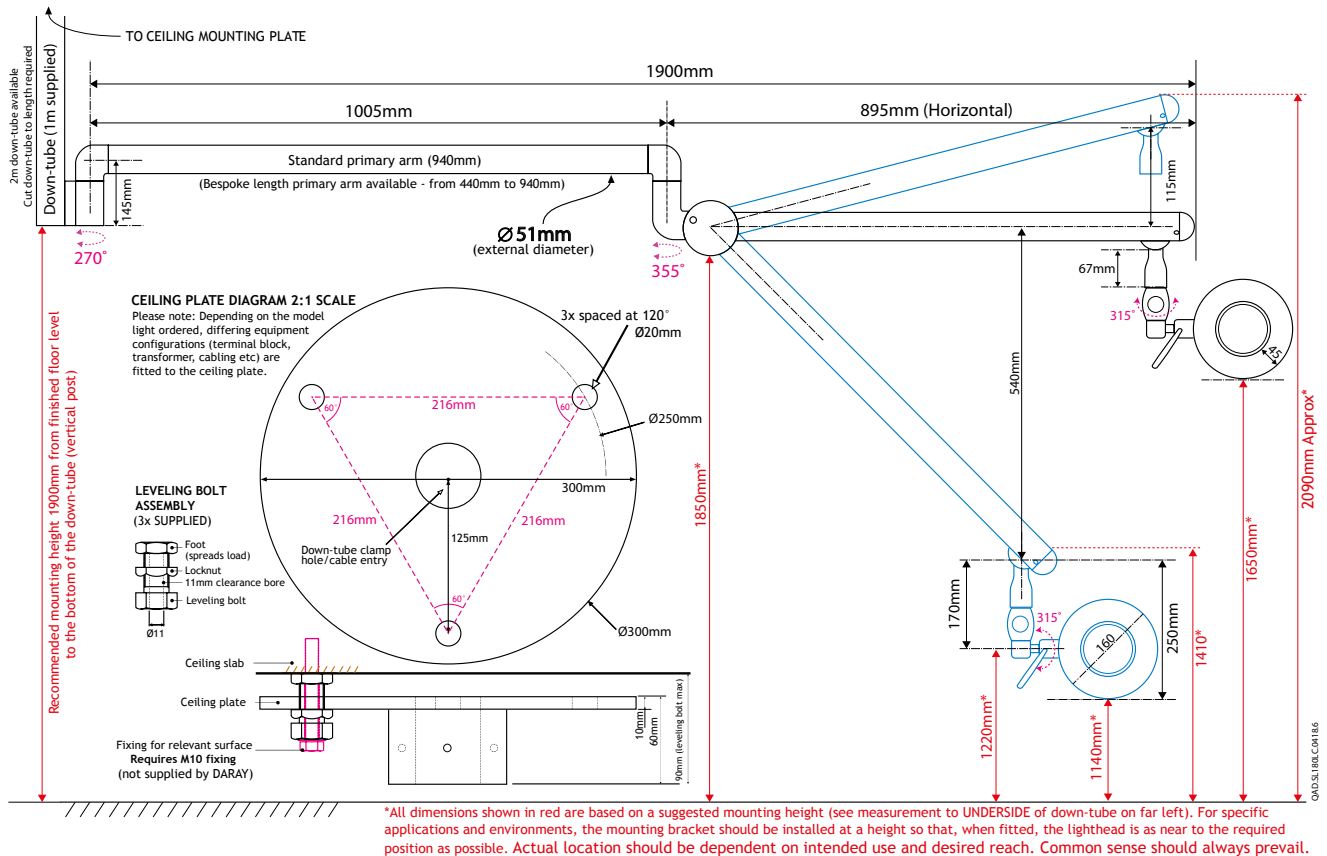
2014/35/EU Low Voltage Directive
 EN 60601-2-41:2015
 EN 1041:2008

Technical Drawings

SL180 LED Wall Mount

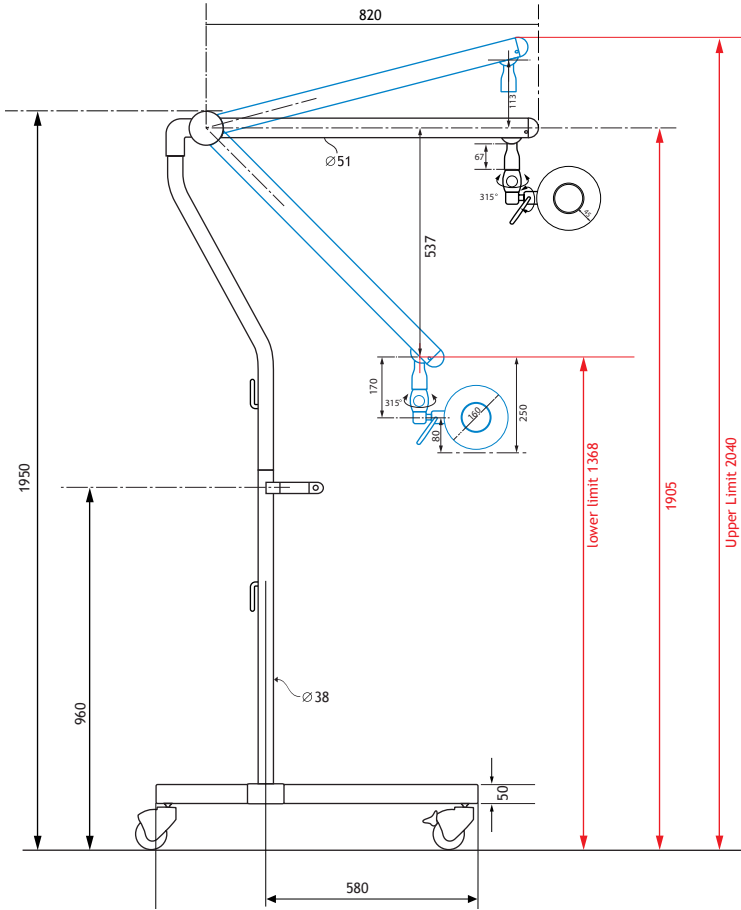


SL180 LED Ceiling Mount



Technical Drawings (cont.)

SL180 LED Mobile



SL180 LED Flexible Mobile

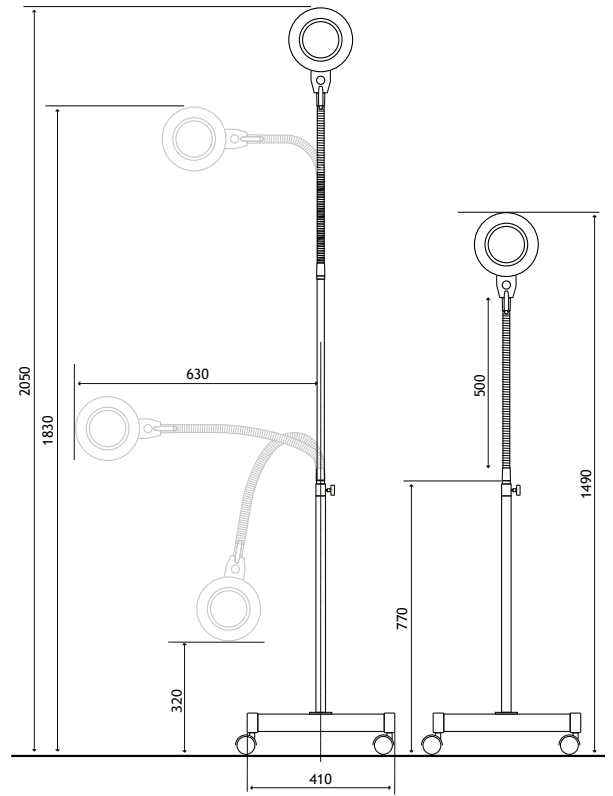


Image Gallery



SL180 LED Ceiling Mount



SL180 LED Wall Mount

SL180 LED Mobile



SL180 LED Flexible Mobile