

**CIBSE**

LIG050  
LIG052  
LIG055

**DARAY**<sup>®</sup>  
Medical

Product Datasheet

## Minor Surgery Light

# SL720

## LED



### Introduction

The SL720 is the latest addition to our range of minor surgical lighting. Designed with a cost effective, low profile emphasis; This entry level LED solution is suitable for multiple minor surgical environments including health centres, GP surgeries, maxillofacial departments and even within casualty or intensive care.

### Standard Features

- World-renowned LED technology
- Variable intensity
- Variable colour temperature
- Removable, autoclavable handle
- Balanced arms for one touch adjustment and a great range of movement.
- Ideal for minor surgery and gynaecological procedures
- Easily accessible digital control panel on the side of the light head to allow simple adjustment of the light intensity and colour temperature
- Fully positionable light head
- Ideal reach for most clinical procedures
- Energy-efficient, environmentally friendly, and a fully recyclable product

### Available Options

SL720LC	DARAY SL720 LED ceiling mounted minor surgical light
SL720LW	DARAY SL720 LED wall mounted minor surgical light
SL720LFM	DARAY SL720 LED flexible mobile minor surgical light
SLBB24	Battery back-up options available, please call
Bespoke solutions available, please call	

## Technical Specifications

Light Source	LED
Light Intensity (Lux) @ 0.5m	98,000 Lux $\pm$ 5%
Light Intensity (Lux) @ 0.75m	77,000 Lux $\pm$ 5%
Light Intensity (Lux) @ 1.0m	50,000 Lux $\pm$ 5%
Light Intensity Adjustment Range	10 - 100%
Colour Temperature (Kelvin)	3,600 - 5,500 K (adjustable)
Colour Rendering Index (CRI)	93
Colour Rendering (R <sub>9</sub> )	90
Light Field Diameter (D <sub>50</sub> )	@ 0.5m: 100mm
	@ 0.75m: 150mm
	@ 1.0m: 190mm
Light Field Diameter (D <sub>10</sub> )	@ 0.5m: 150mm
	@ 0.75m: 180mm
	@ 1.0m: 240mm
Number of LED's	12
Power Consumption	30W
Average Working Life	>50,000 Hours
Input Voltage	100 - 240V AC 50/60Hz
Output Voltage	30V DC 1A
Temperature Rise on Patient User	$\leq$ 2°C
Warranty Period	3 Years
NHS E-Class Code	FBU, FKR, IBB
Commodity Code	9018 908400
GMDN Code	12276

## Notes

Designed for use in minor procedures under local anaesthetic the SL720 provides clean accurate light where it's needed. This light also features variable colour temperature adding incredible versatility in a small package. The wall and ceiling editions of this light come on spring balanced arms with a large range of movement as standard. Combined with great shadow reduction technology, the SL720 will keep you focused on your patients not your equipment. This light runs off a low 24V making it very eco-friendly. Combined with reduced operating costs from typical Halogen units and a significant lifespan. The SL720 will save you time, money and effort.

## Medical Approvals/Certificates

The product(s) on this datasheet adhere to the following standards in line with the 93/42/EC Medical Devices Directive - Classification: Class 1, Rule 1.

EN ISO 13485:2012

EN ISO 14971:2012

EN ISO 9001:2015

EN 60601-1:2006 + A12:2014

EN 60601-1-2:2007

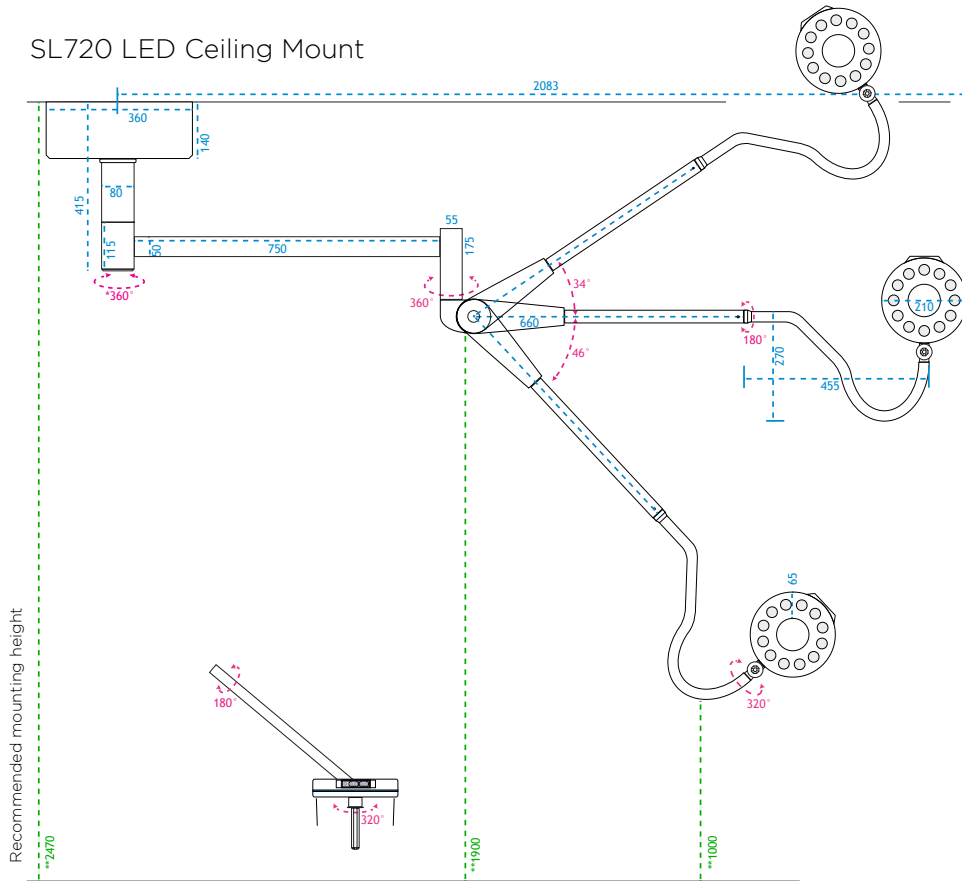
EN 60601-2-41:2009

EN 1041:2008 + A1:2013

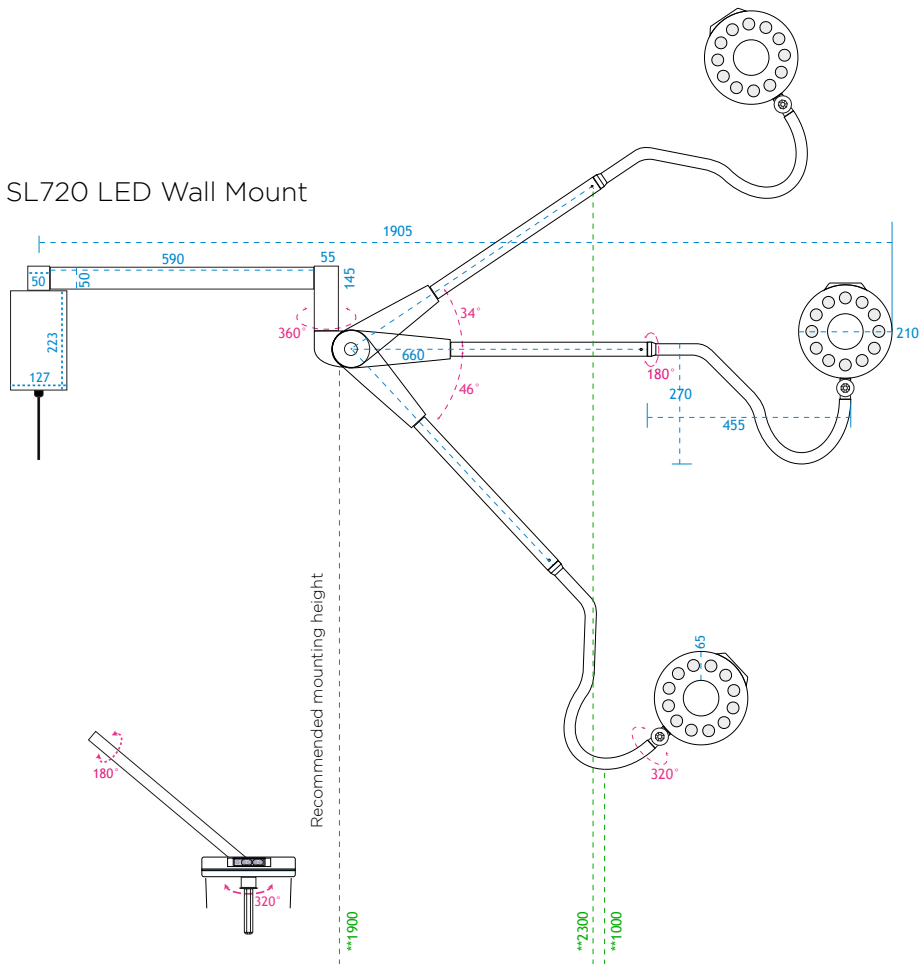
BS EN ISO 15223-1:2012

# Technical Drawings

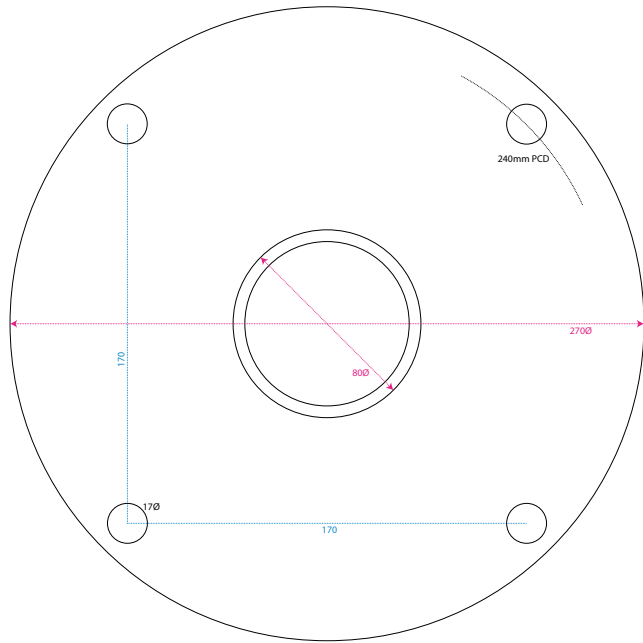
SL720 LED Ceiling Mount



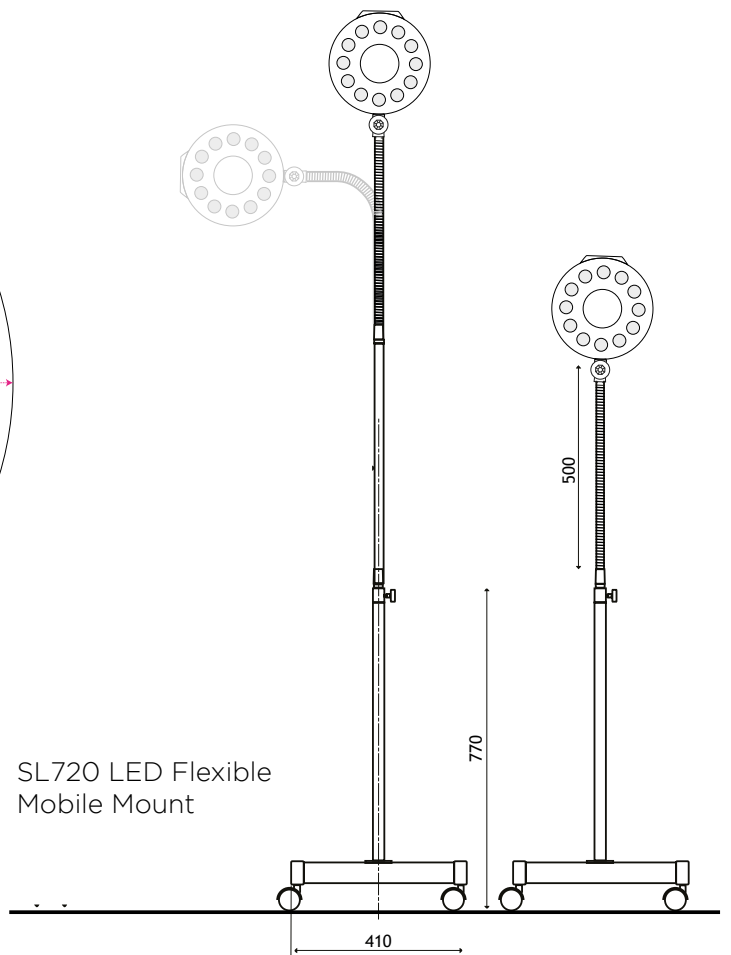
SL720 LED Wall Mount



## Technical Drawings (cont.)



SL720 LED Ceiling Plate



SL720 LED Flexible Mobile Mount

## Image Gallery



SL720 LED Ceiling Mount

SL720 LED Wall Mount



SL720 LED Flexible Mobile