

**CIBSE**

LIG053  
LIG055  
LIG058  
LIG910  
LIG953  
LIG9004

**DARAY**<sup>®</sup>  
Medical

Product Datasheet

# Examination Light

# X400

## LED



## Introduction

The DARAY X400 LED is a premium quality examination light for use in all general medical diagnosis and procedures.

The X400 LED examination light has a large diameter light-patch providing excellent illumination. It boasts single-handed lighting control, on/off and variable intensity, from a single switch, and a smooth, fully-enclosed light-head assists with the management of infection control.

Available as wall, ceiling and mobile versions which include the most versatile spring-balanced suspension arms available for effortless repositioning. This model features a strong beam of light with an even intensity across the entire area for clearer viewing and reduced eye strain.

## Standard Features

- World-renowned LED technology
- Variable intensity
- Balanced arms for one touch adjustment and a great range of movement.
- Excellent colour rendering - for totally natural skin tones
- BioProtect® anti-microbial coating to assist in infection control
- Fully positionable light head
- Ideal reach for most clinical procedures
- Energy-efficient, environmentally friendly, and a fully recyclable product

## Available Options

X400LC	DARAY X400 LED ceiling mounted examination light
X400LW	DARAY X400 LED wall mounted examination light
X400LM	DARAY X400 LED mobile examination light
XBB24	Battery back-up options available, please call
CMC	Ceiling Mount Cover (required for conventional ceilings only)
Bespoke solutions available, please call	

# Technical Specifications

Light Source	LED
Light Intensity (Lux) @ 0.5m	120,000 Lux $\pm$ 5%
Light Intensity (Lux) @ 0.75m	64,000 Lux $\pm$ 5%
Light Intensity (Lux) @ 1.0m	40,000 Lux $\pm$ 5%
Light Intensity Adjustment Range	5% - 100%
Colour Temperature (Kelvin)	4,300K $\pm$ 500
Colour Rendering Index (CRI)	95
Colour Rendering (R9)	88
Light Field Diameter (D50)	@ 0.5m: 75mm
	@ 0.75m: 100mm
	@ 1.0m: 125mm
Light Field Diameter (D10)	@ 0.5m: 170mm
	@ 0.75m: 200mm
	@ 1.0m: 220mm
Number of LED's	7
Power Consumption	16W 0.19A
Average Working Life	>50,000 Hours
Input Voltage	100 - 240V AC 50/60 Hz
Output Voltage	30V DC 1A
Temperature Rise on Patient/User	$\leq$ 2°C
Warranty Period	5 Years
NHS E-Class Code	FBU, FKR
Commodity Code	9018 908400
GMDN Code	12276

## Medical Approvals/Certificates

The product(s) on this datasheet adhere to the following standards in line with the 93/42/EEC Medical Devices Directive - Classification: Class 1, Rule 1.

EN 13485	EN 60601-1-2
EN 14971	EN 60601-1-6
EN 9001	EN 60601-2-41
EN 60601-1	EN 1041
2014/35/EU Low Voltage Directive	EN 60598-2-25



(UK Customers only)

## Warranty

Our aftercare plan has been designed to offer complete piece of mind for the entire warranty period, during which time you will have access to our dedicated Service Delivery Team, who are here to assist you in any way they can.

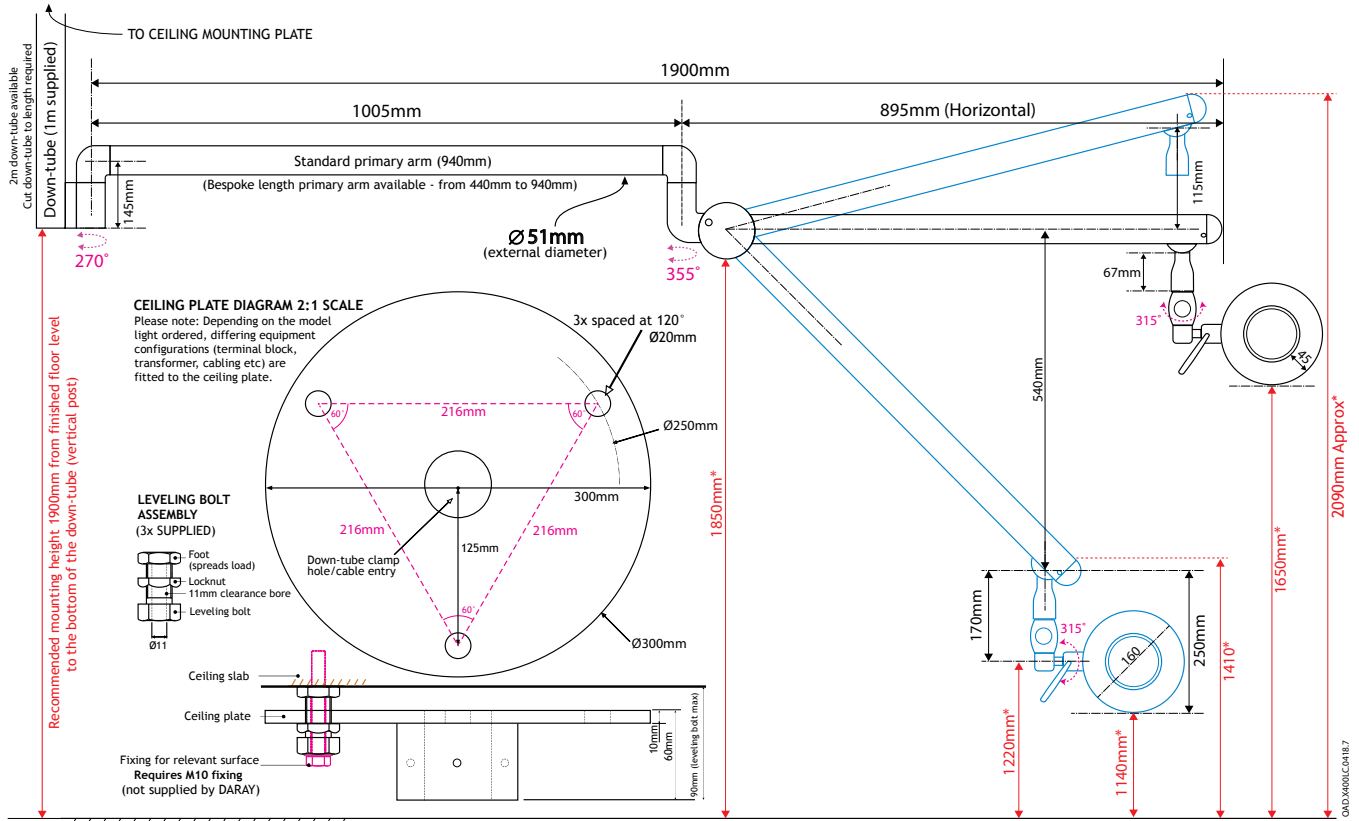
Year 1 - Parts & Labour (return to base)

Years 2-5 - Parts only

# Technical Drawings

## X400 LED Ceiling Mount

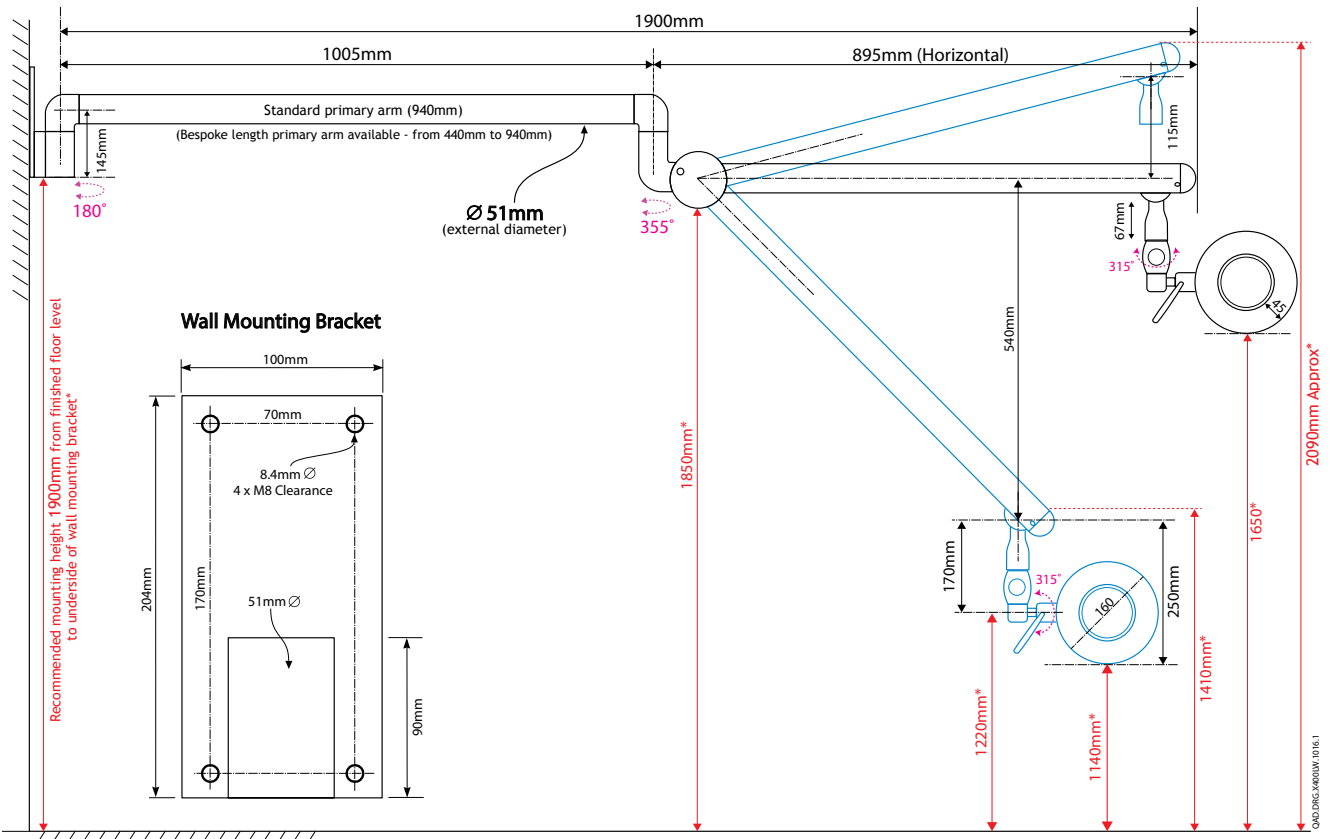
Code: X400LC



\*All dimensions shown in red are based on a suggested mounting height (see measurement to UNDERSIDE of down-tube on far left). For specific applications and environments, the mounting bracket should be installed at a height so that, when fitted, the lighthouse is as near to the required position as possible. Actual location should be dependent on intended use and desired reach. Common sense should always prevail.

## X400 LED Wall Mount

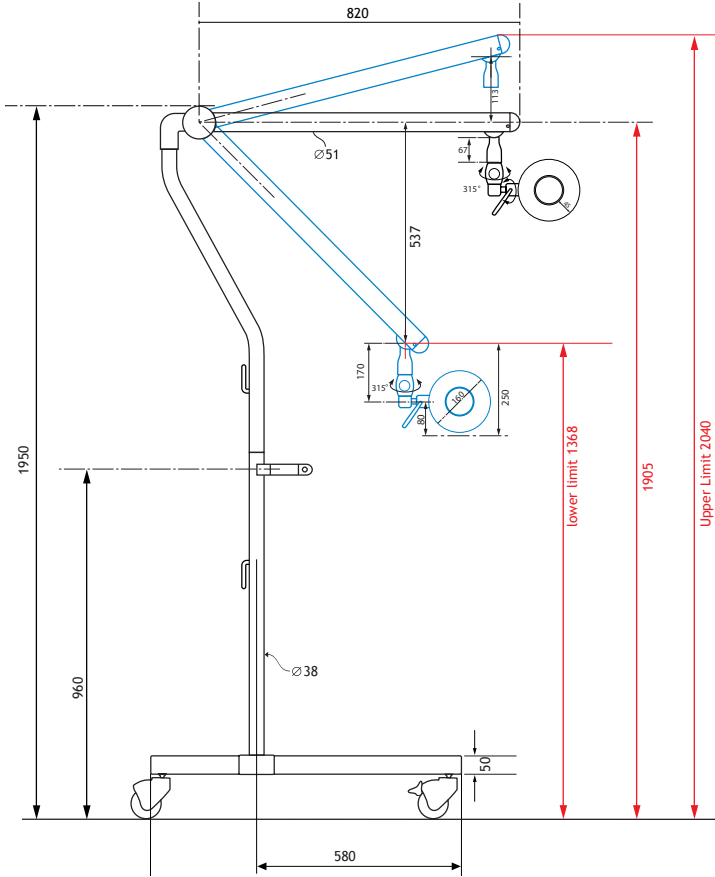
Code: X400LW



\*All dimensions shown in red are based on a suggested mounting height (see measurement to wall bracket on far left). For specific applications and environments, the mounting bracket should be installed at a height so that, when fitted, the lighthouse is as near to the required position as possible. Actual location should be dependent on intended use and desired reach. Common sense should always prevail.

# Technical Drawings (cont.)

X400 LED Mobile  
Code: X400LM



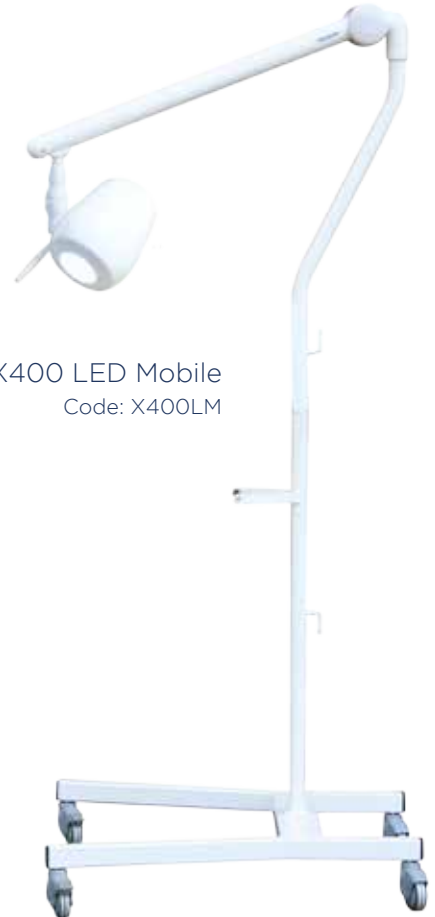
# Image Gallery



Ceiling Mount Cover (sold separately) .....  
Code: CMC



X400 LED Ceiling Mount  
Code: X400LC



X400 LED Mobile  
Code: X400LM



X400 LED Wall Mount  
X400 LED Wall Mount  
Code: X400LW